

GENERAL

PROTECTION AND STATUS INDICATORS	WITH	WITHOUT
FLUID	: air ou gaz neutre, filtré, lubrifié ou non	
PRESSURE SETTING	: 0,5 to 10 bar (0,2 - 6 bar on request)	
HYSTERESIS	: 0,4 bar at the beginning of adjustment range 1 bar at the end of adjustment range	
MAX. PRESSURE (PMA)	: 10 bar or 16 bar	
OPERATING TEMPERATURE	: -10°C; +60°C	: 0°C; +60°C
MAX. VOLTAGE	: 250 V - CA/CC	: 24 Volts-courant continu
CURRENT BREAKING CAPACITY	: 5A - 250V resistive	: 2A - 24Vcc resistive
PROTECTION DEGREE	: IP65	
MOUNTING POSITIONS	: all positions	
MAX. SPEED	: 60 cycles per minute	

CONSTRUCTION

Grivory (PA61/XT) body / aluminium body for 16 bar version

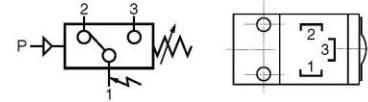
Nitrile (NBR) sealings



 Commutator (reversing switch)

- at rest : contact 1 - 2 made
- at work : contact 1 - 3 made

 Mechanical service life : 5.10⁶ contacts

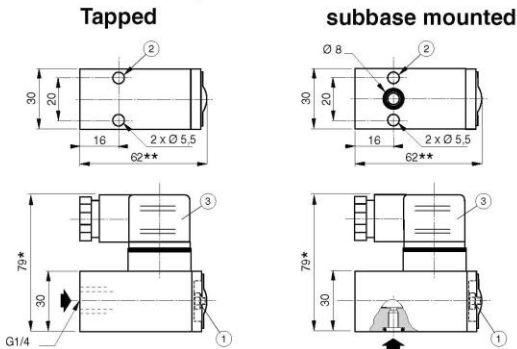
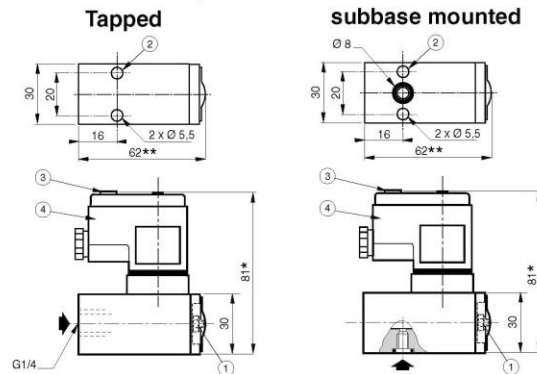
Pressure set by set screw and lock-nut


ELECTRICAL CONNECTION

SPECIFICATIONS

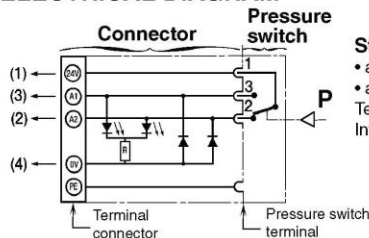
Type	Designation	Pressure setting (bar)	Art. No. without protection
	Adjustable pressure switch with side pneumatic connection, tapped G1/4	0,2 - 6 0,5 - 10 0,5 - 16	103005 - DS 4801 103006 - DS 4802 103007 - DS 4803
	Adjustable pressure switch with subbase mounted pneumatic connection (version adaptable on FRL, see P710)	0,5 - 10	100280 - DS 9410

DIMENSIONS AND WEIGHT

Weight : 110 g

 Version **without** protection and status indicators

 Version **with** protection and status indicators


- ① Pressure set screw (spanner for hexagon nuts : 3 mm)
 - ② 2 holes Ø 5,5 for mounting
 - ③ ISO4400 size 30 connector, 4 terminals, rotatable by 90°
- * + 15 mm for connector clearance
** + 2 mm for 0,5 - 16 bar version

ELECTRICAL DIAGRAM

Status indicated by two diodes :

- at rest : contact 1-2 made : orange diode lights
 - at work : contact 1-3 made : red diode lights
- Terminal connection for 1,5 mm² wire
Integrated interference blanking

- ① Pressure set screw (spanner for hexagon nuts : 3 mm)
 - ② 2 holes Ø 5,5 for mounting
 - ③ Identification label holder
 - ④ ISO 4400 size 30 connector, 4 terminals (not rotatable)
- * + 15 mm for connector clearance
** + 2 mm for 0,5 - 16 bar version